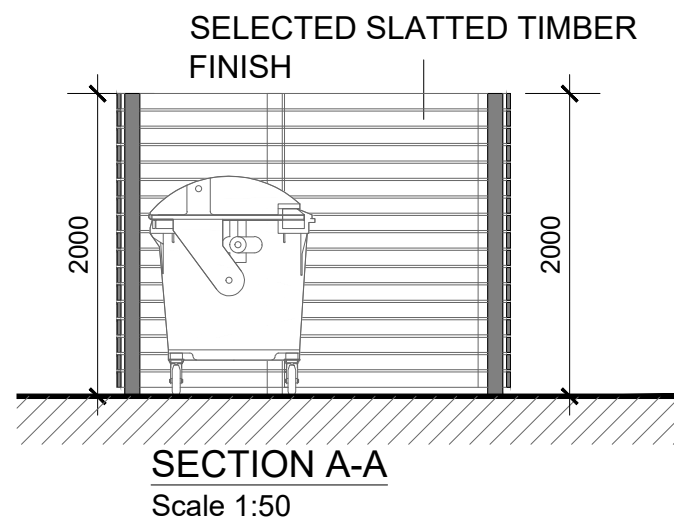
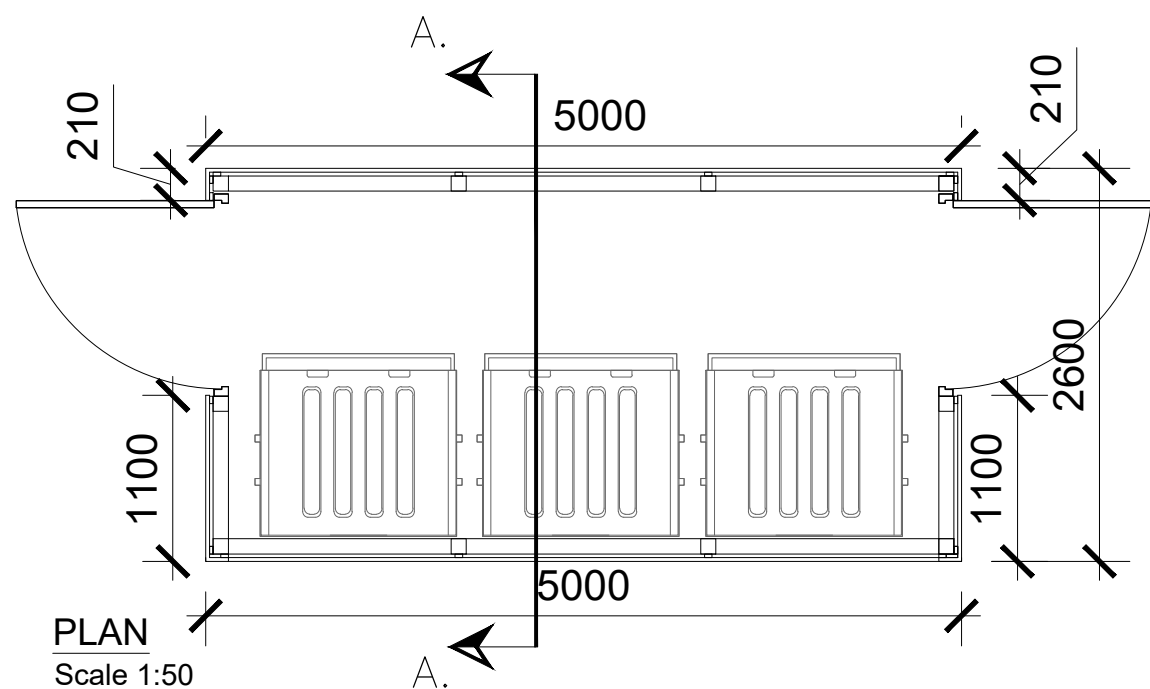
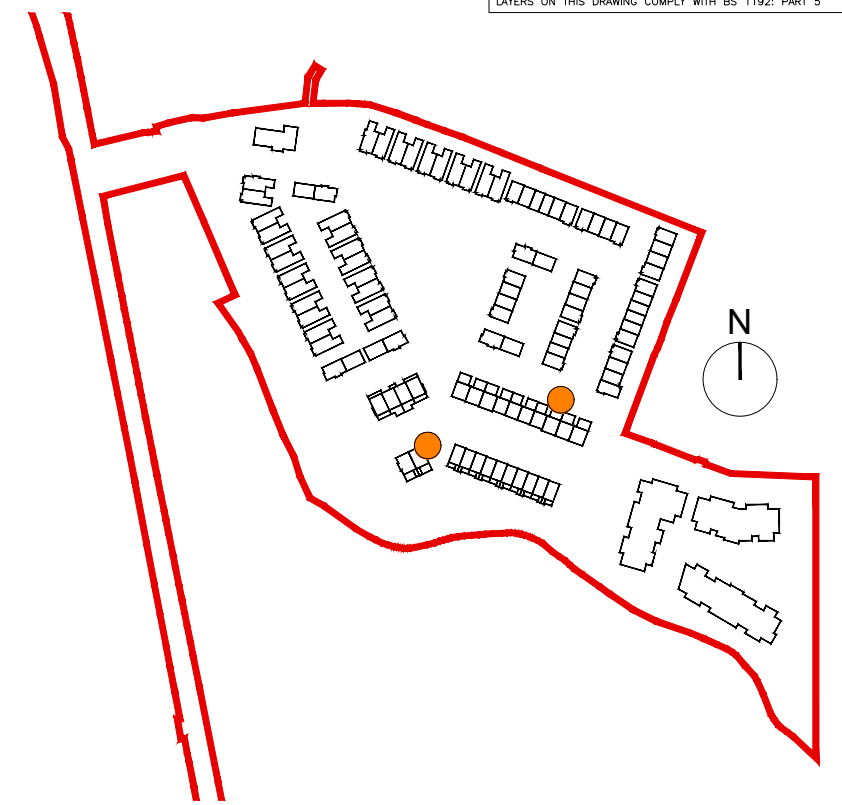
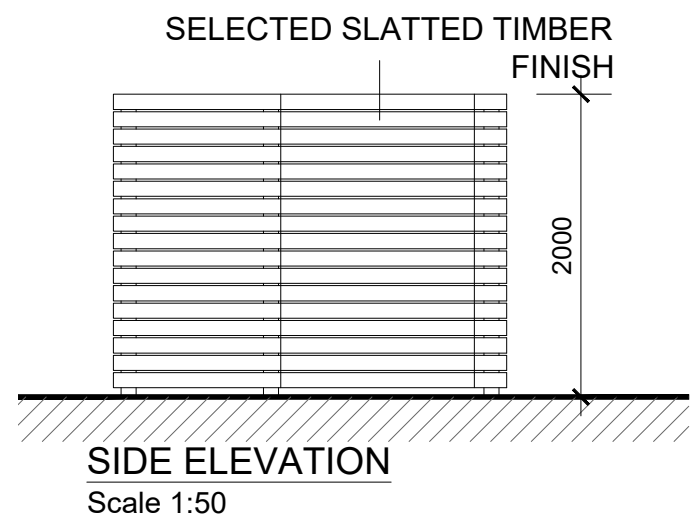
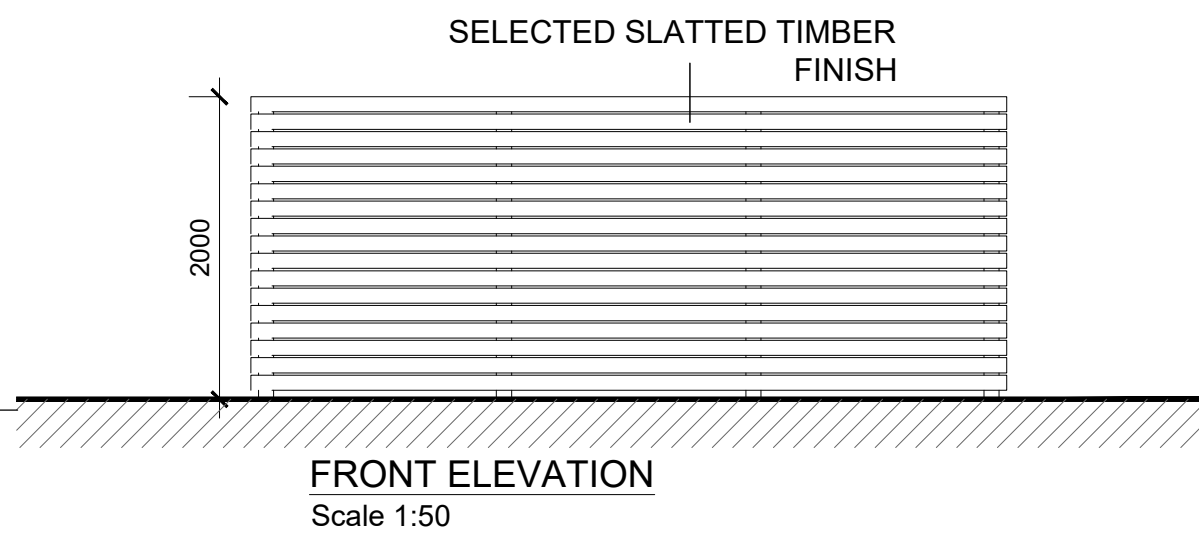
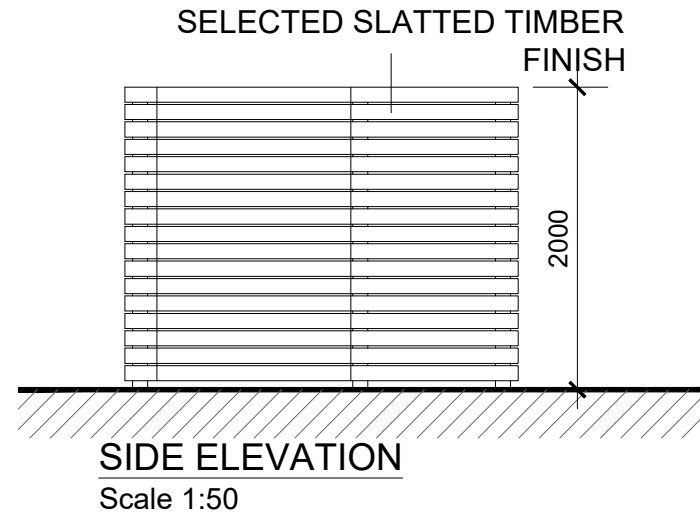
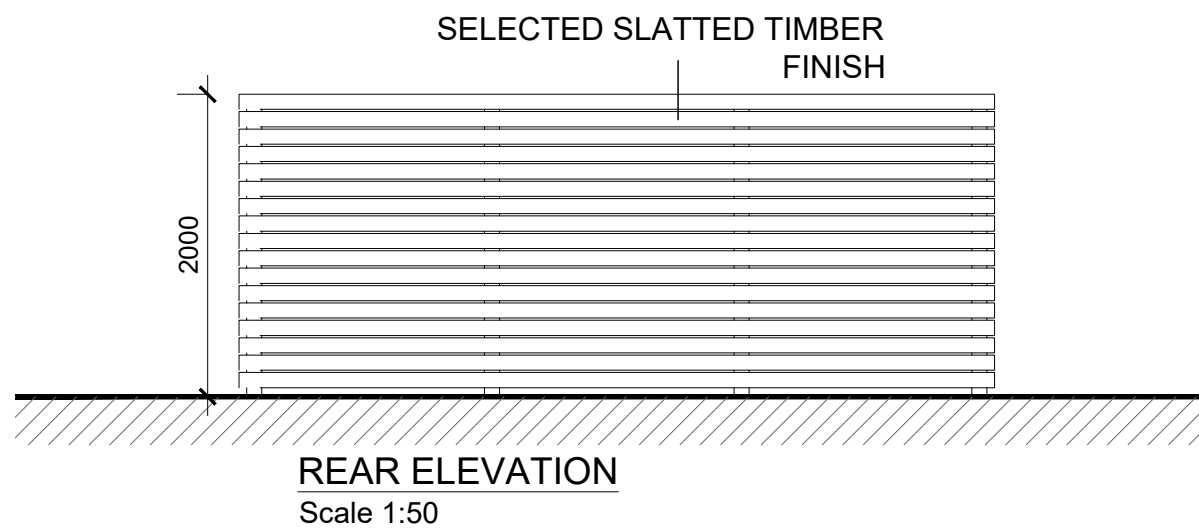


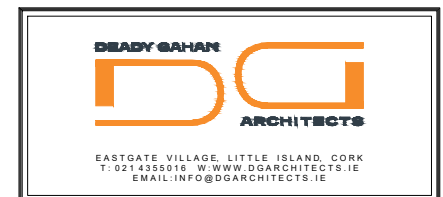
DO NOT SCALE. WORK TO FIGURED DIMENSIONS ONLY.  
 ALL EXISTING DIMENSIONS TO BE CHECKED ON SITE.  
 DRAWN ON AUTOCAD R2004 AT DEADY GAHAN ARCHITECTS LTD  
 LAYERS ON THIS DRAWING COMPLY WITH BS 1192: PART 5



**BIN STORE**  
 SAMPLE IMAGE (SLATTED TIMBER FINISH)

NOTE: POSITION OF NORTH POINT & LEVELS VARY.  
 SEE SITE PLAN FOR ORIENTATION - DWG NO. 23049/P/003

date	rev	name	chk	note
27.03.24	P1	MP	EJG	ISSUE FOR PLANNING



Project  
 PROPOSED RESIDENTIAL DEVELOPMENT  
 AT PORT ROAD, KILLARNEY, CO. KERRY

Drawing title			
PROPOSED TYPICAL BIN STORE			
TYPE A			
Scale	Drawn	Checked	Date
1:50 @A3	PC	EJG	09.08.21
Project No.	Dwg. No.	Revision	
23049	23049/P/011A	P1	
Information / Comments			Tender
Planning			Construction

**PROPOSED BIN STORE TYPE A**  
 SCALE 1:50 @ A3